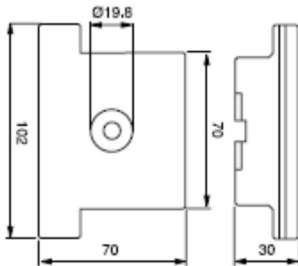


Macro – Accessories

Control ruler, 3R-606.1

For setting angular positions and for centring Macro chucks.

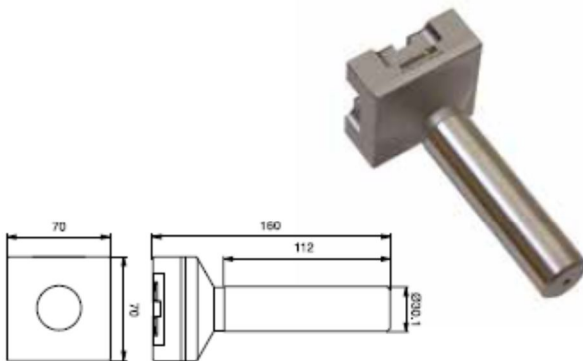
- Ground hole for centring.
- Measuring length 100 mm
- Weight 1.4 kg.



Control rod, 3R-606

Check mandrel with ground C-reference for setting Macro chucks.

- Measuring length 110 mm
- Weight 2.3 kg.



Measuring probes

Measuring probes with Renishaw measuring head for machines with measurement cycle function.

- Max ball deflection:
 - X-Axis $\pm 10^\circ$
 - Y-Axis $\pm 10^\circ$
 - Z-Axis ± 3 mm.

3R-656.31-3P

- Building-in height 112 mm
- Measuring ball $\varnothing 3$ mm
- Weight 0.6 kg.

3R-656.31-5P

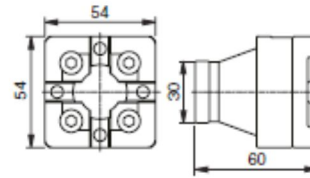
- Building-in height 112 mm
- Measuring ball $\varnothing 5$ mm
- Weight 0.6 kg.



Control ruler, 3R-656.1

For setting angular positions. Ground outside diameter for centring.

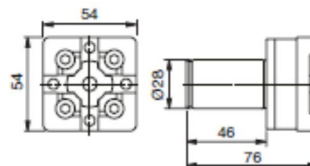
- Measuring length 50 mm
- Weight 0.8 kg.



Control rod, 3R-656

Check mandrel with ground C-reference for setting Macro chucks.

- Measuring length 38 mm
- Weight 1 kg.



Measuring probe, 3R-656.21-SP03

Measuring probe with measuring head for machines with measurement cycle function.

- Building-in height 130 mm
- Measuring ball $\varnothing 3$ mm
- Stiff probe
- Weight 0.8 kg.

